

Tolomeo classic LED MWL table

Tolomeo mini LED MWL table

Michele De Lucchi, Giancarlo Fassina 2010

My White Light (MWL) combines the advantages of LED technology with those of the My White Light technology, enabling numerous variations of white light to be obtained, with different intensities and varieties of color temperature, with a range from 3,200K (warm light) to 10,000K (cold light). Table standing luminaires for adjustable direct task LED lighting.

- fully adjustable articulated arm structures in polished aluminum
- joints and tension control knobs in polished die-cast aluminum
- internal tension springs and external tension control cables in stainless steel
- tiltable diffuser in aluminum with incorporated touch dimmer rotates 90° in both directions
- table clamp in die-cast aluminum, maximum opening is 2 3/4" (7 cm)
- table in-set pivot in die-cast aluminum, maximum table thickness is 3" (7.6 cm), hole is ø 3/4" (1.9 cm)
- interchangeable plug options accommodate most electrical outlets for global diversity

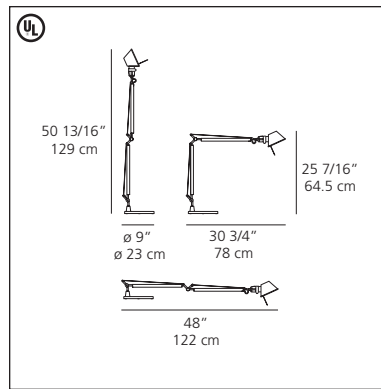
Body structures:

Tolomeo classic LED MWL

- full size, ø 9" (23 cm) base in weighted steel with stamped aluminum cover

Tolomeo mini LED MWL

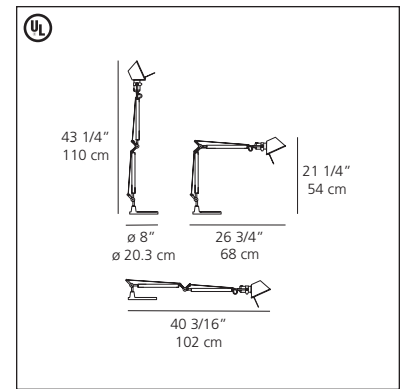
- 20% smaller, ø 8" (20.3 cm) base in weighted steel with stamped aluminum cover



Tolomeo classic LED MWL table

LED source

- 5 LEDs/10W supplied



Tolomeo mini LED MWL table

LED source

- 5 LEDs/10W supplied



eco design