

# Pirce suspension

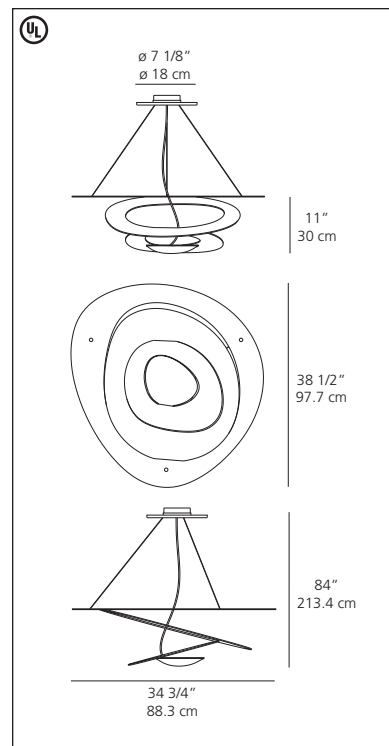
Giuseppe Maurizio Scutellà 2009

Cable suspension mounted luminaire for indirect halogen lighting.

- structure in aluminum in white finish
- one continuous slender piece of aluminum is used to create a unique spiral
- ceiling canopy in steel with thermoplastic cover
- suspension cables in stainless steel
- mounting to standard electrical junction boxes

**Awards**

Reddot Design Award  
2009 - Essen (Deutschland)

**Pirce suspension****halogen source**

- 1 x 300W (R7S/T3) supplied.....





Pire  
Giuseppe Morazzini/Artemide